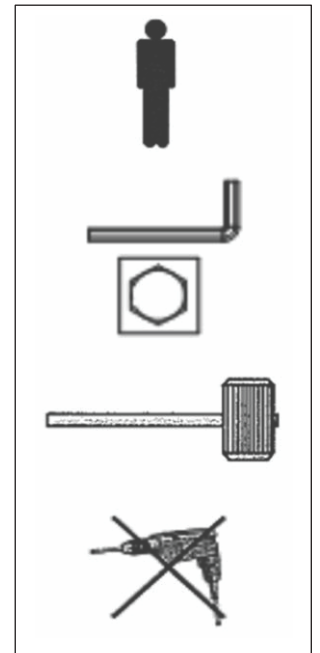
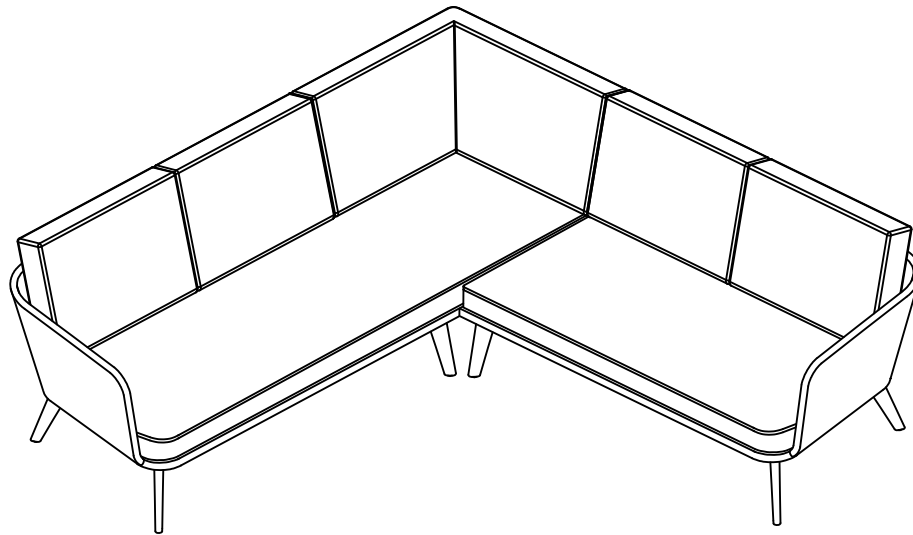







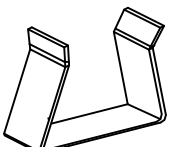
Nant
50403025

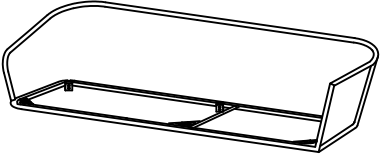
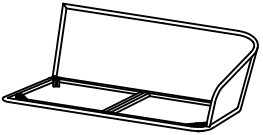





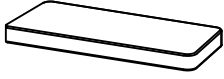
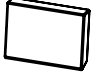
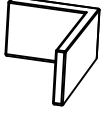


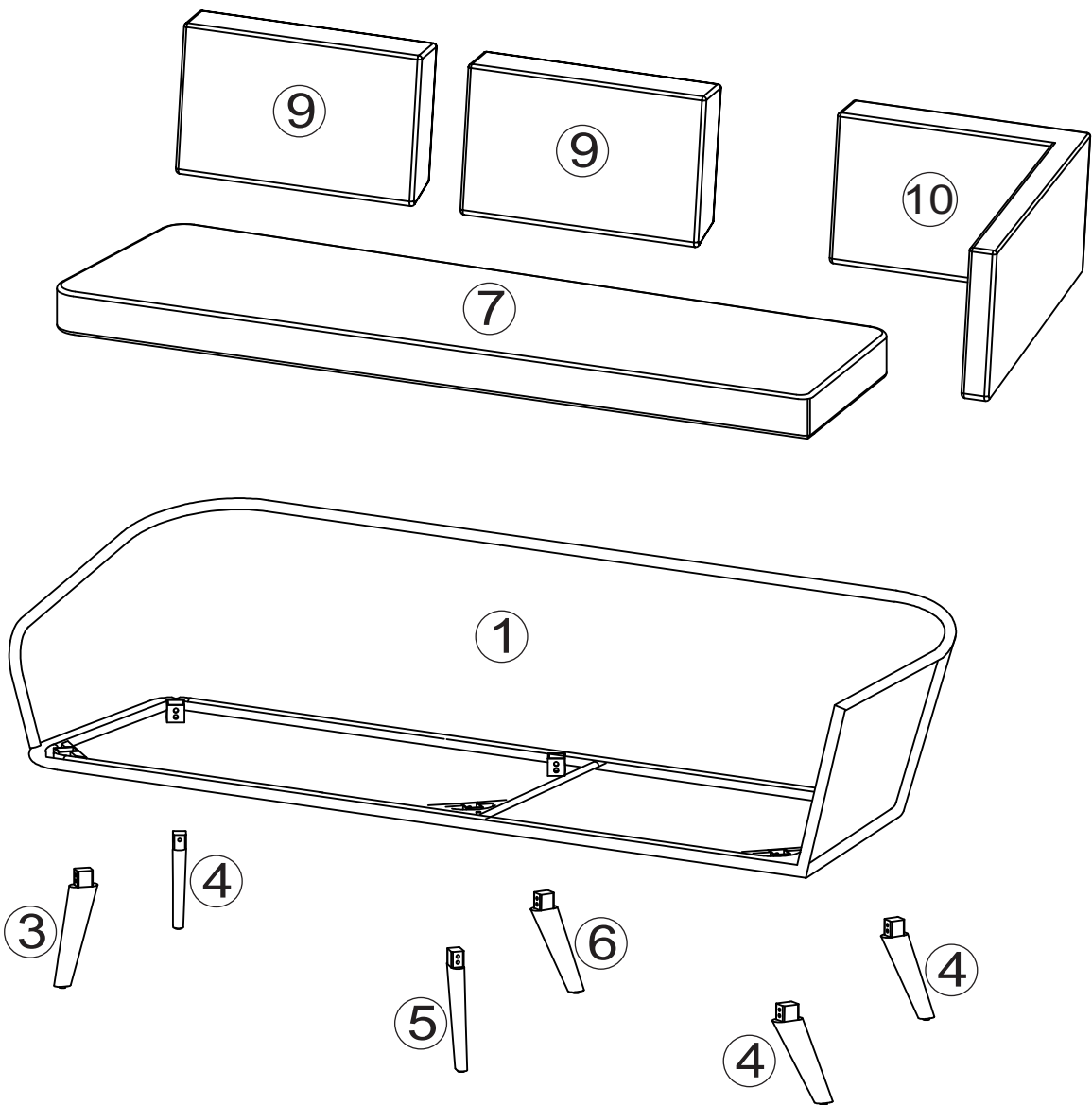
MAX. WEIGHT:
110 KGS
PER SEAT

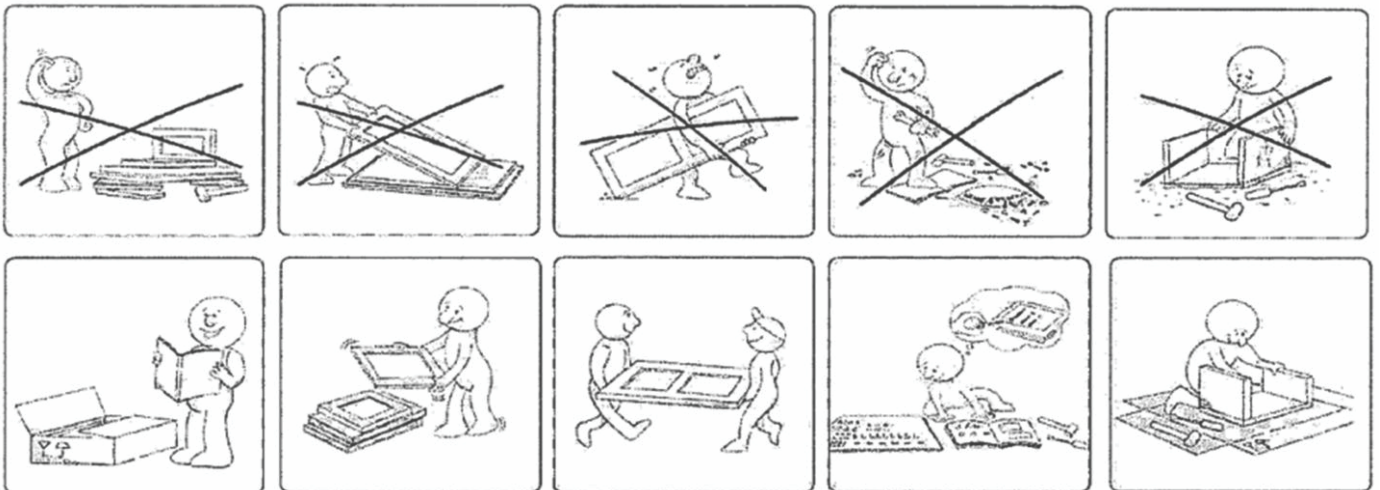
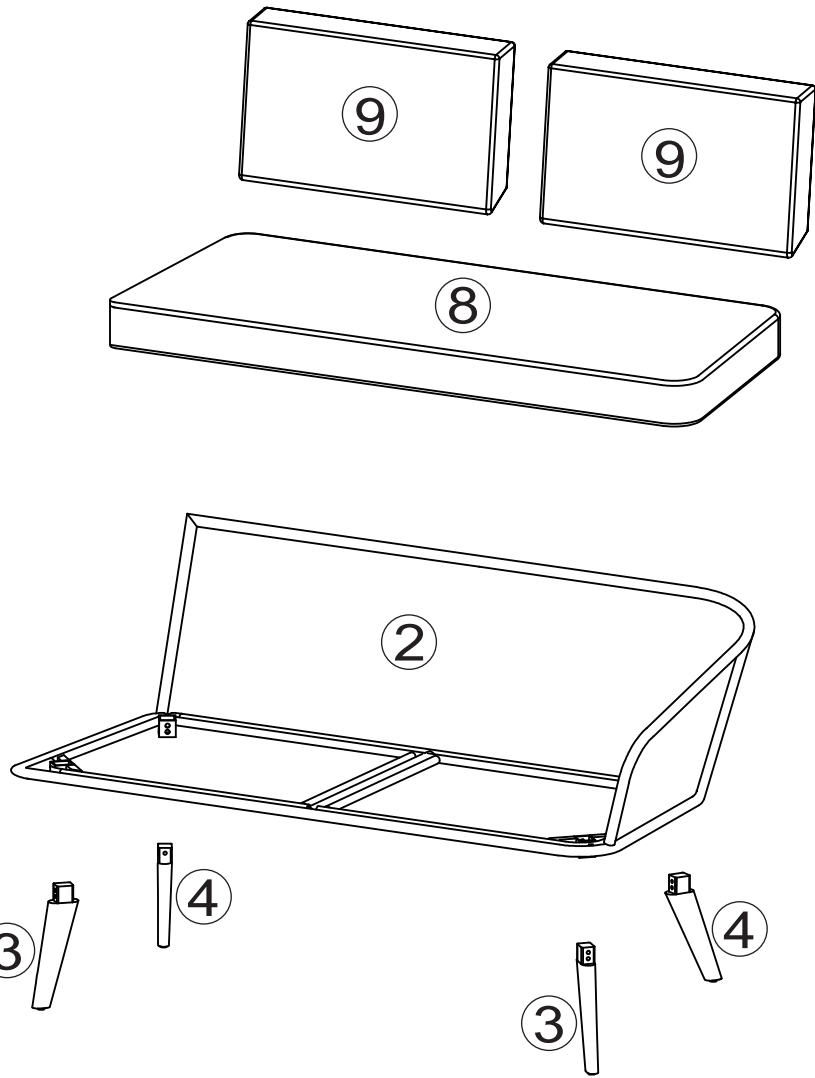


Le Sud B.V.
PO BOX 43 4940 AA
The Netherlands

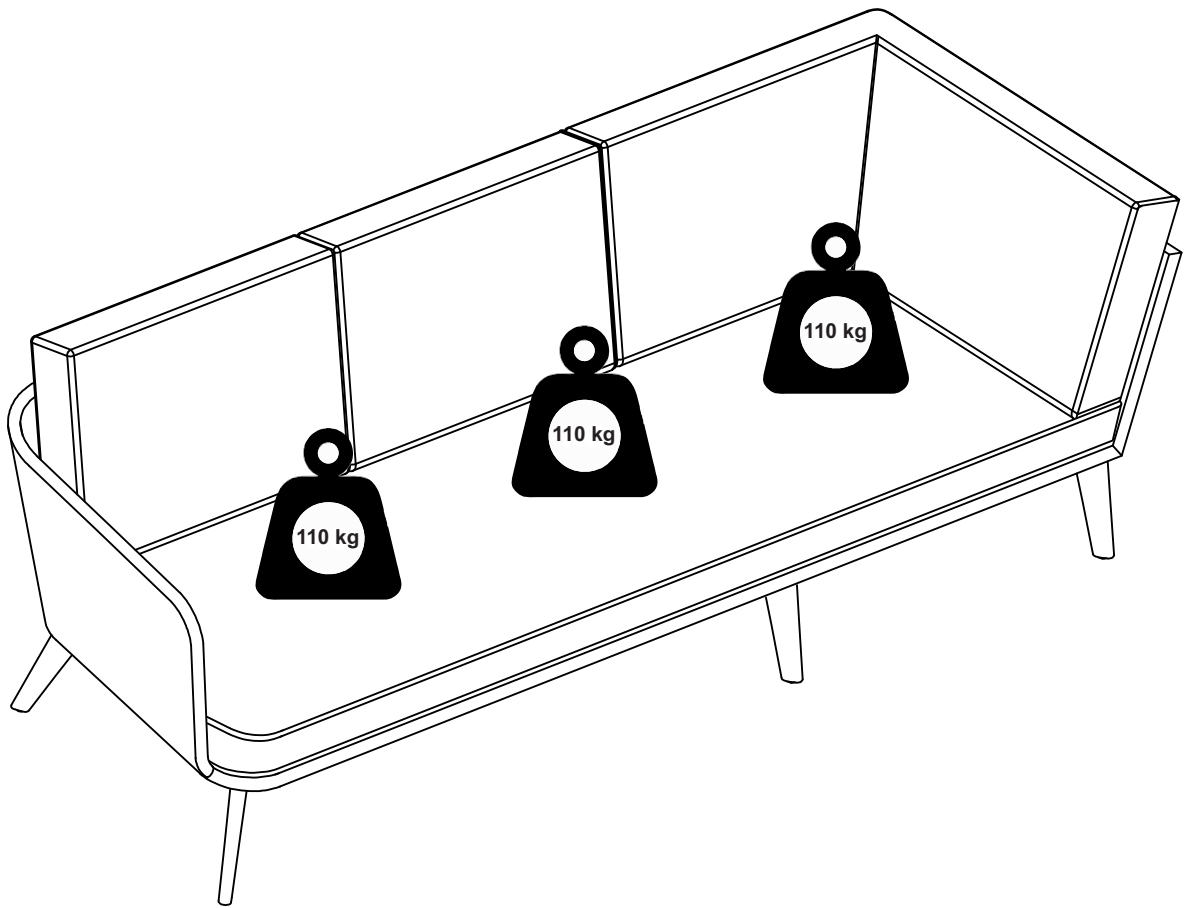
A		M6x40	20
B		M6	20
C		KEY	2
D		76x75x2	2

1 = 1x 	2 = 1x 	3 = 3x 	4 = 5x 	5 = 1x 
6 = 1x 	7 = 1x 	8 = 1x 	9 = 4x 	10 = 1x 

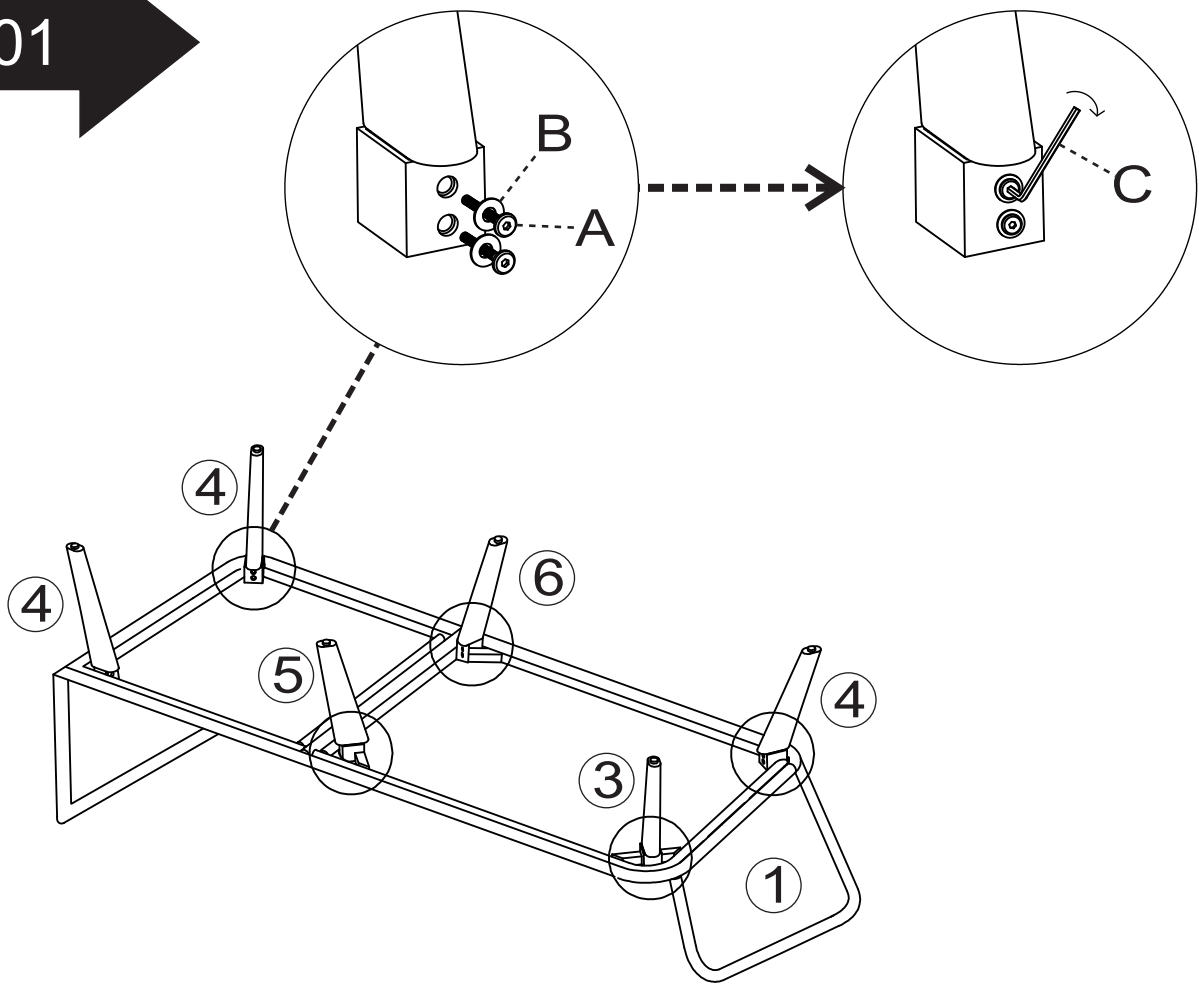




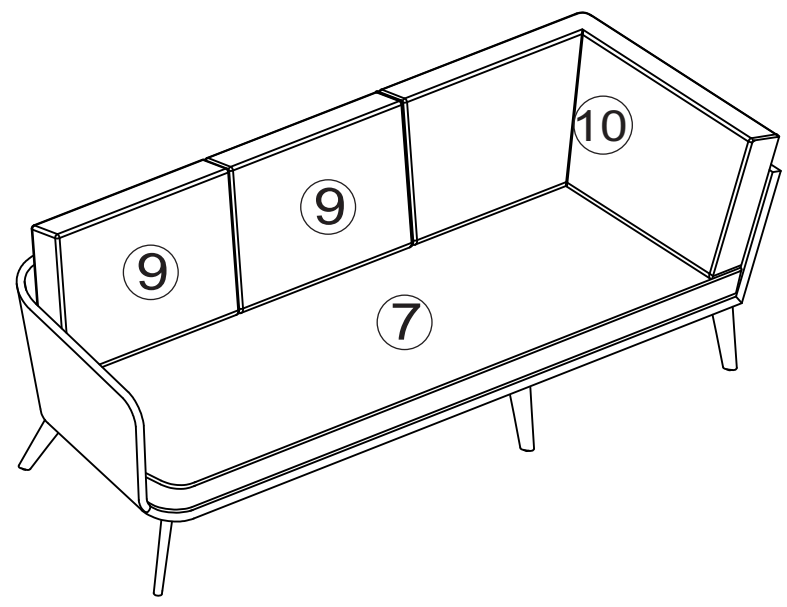
03



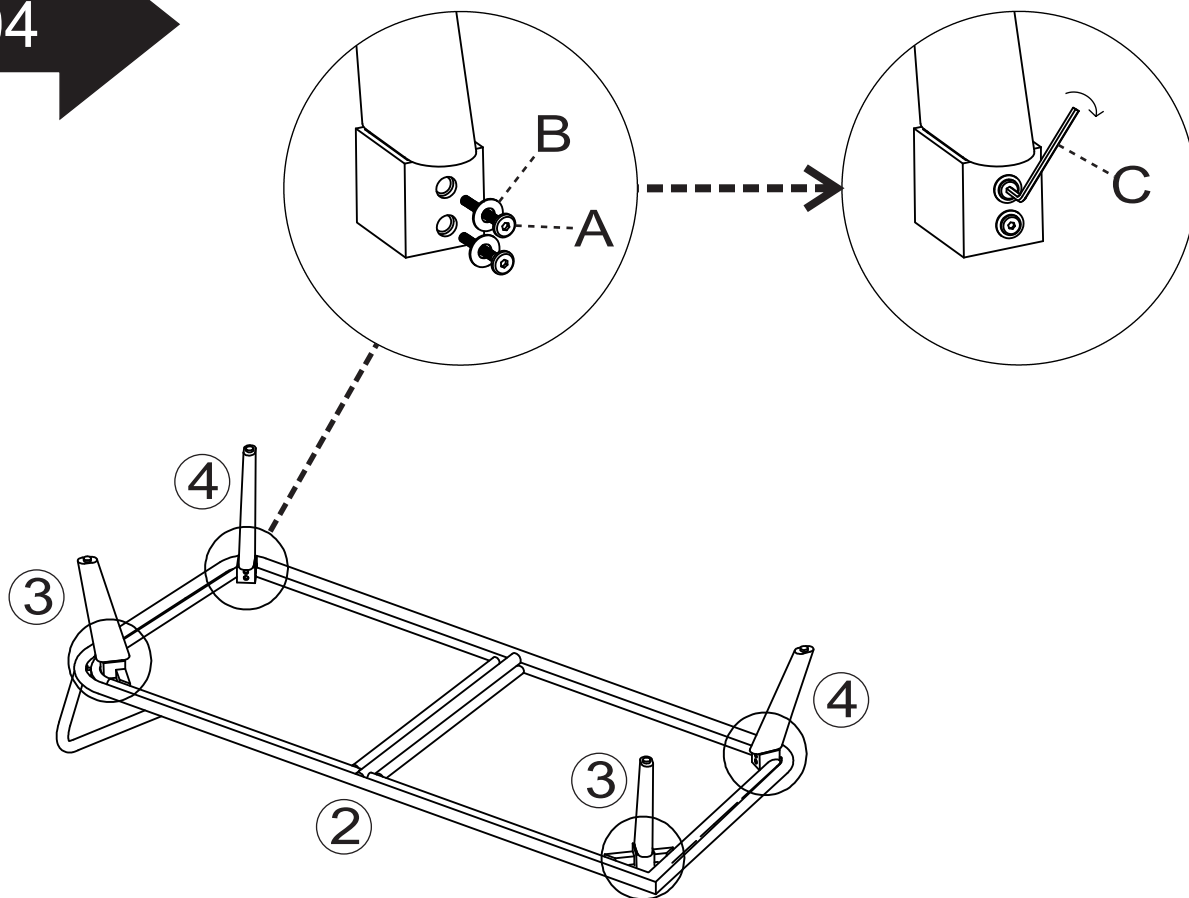
01



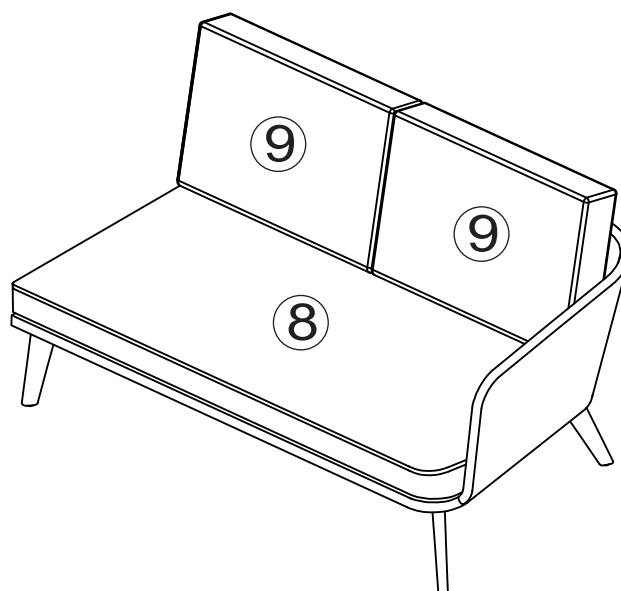
02



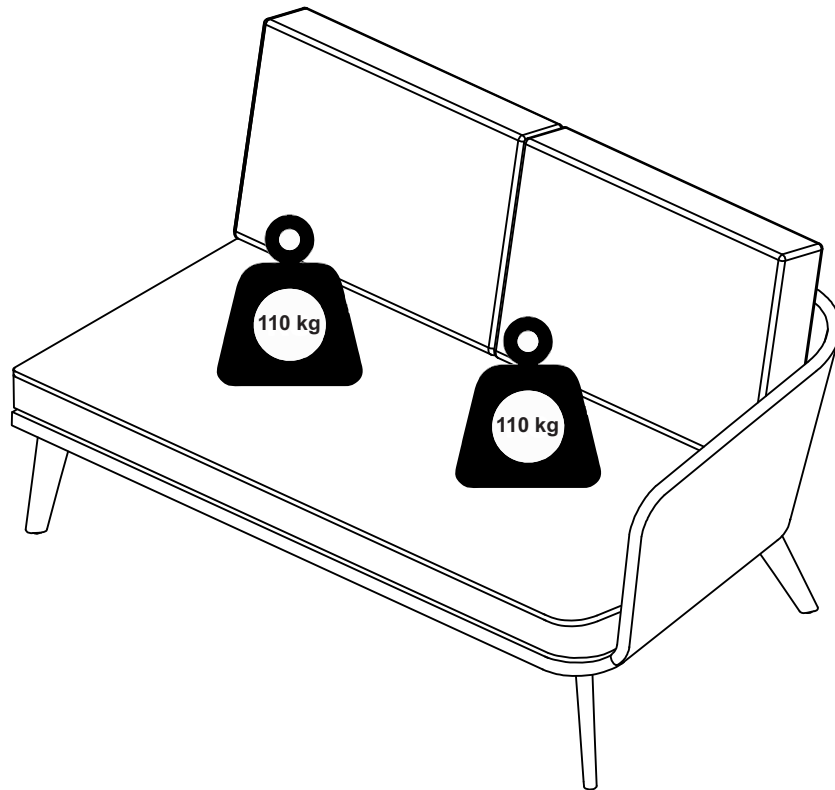
04



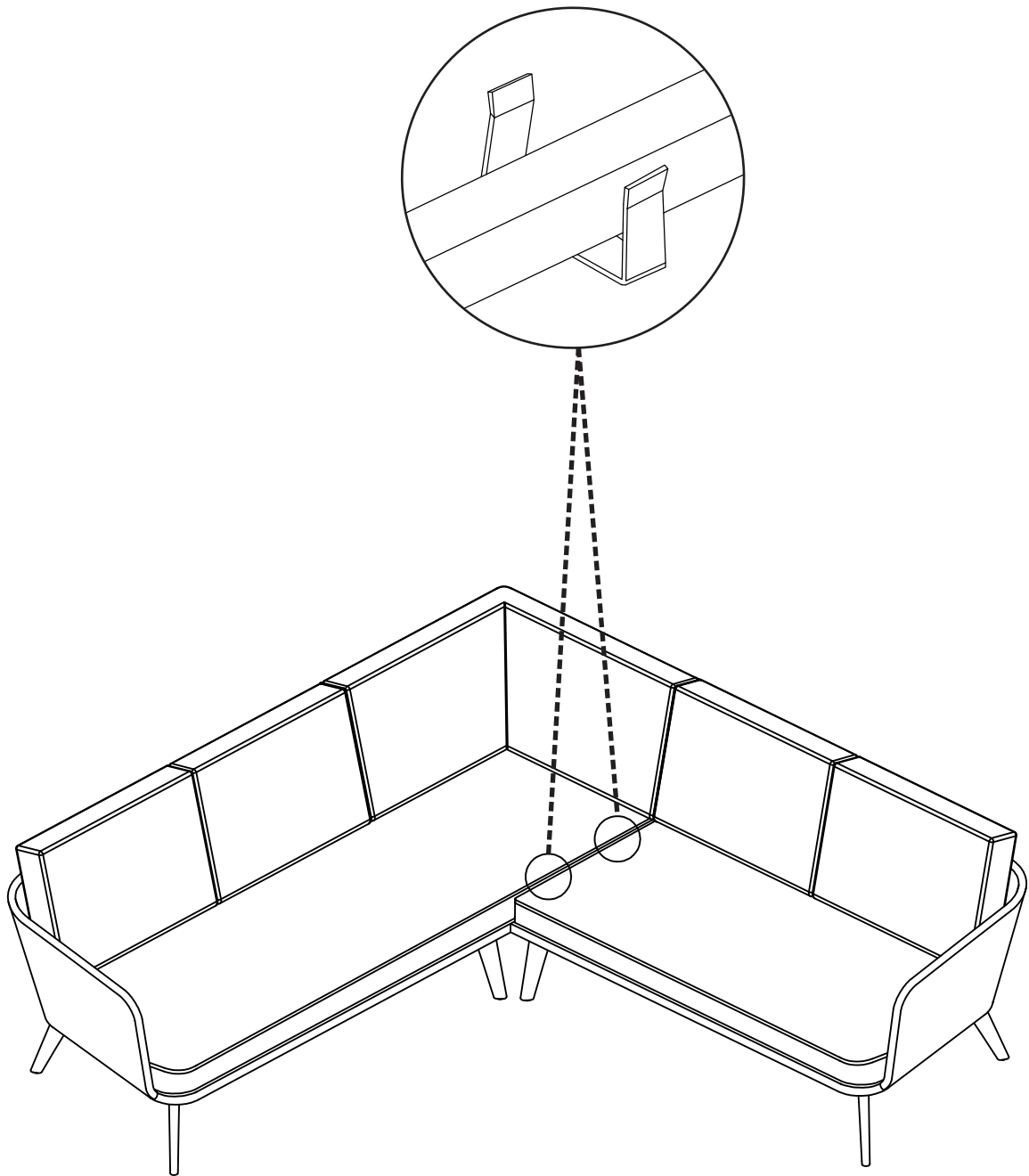
05



06

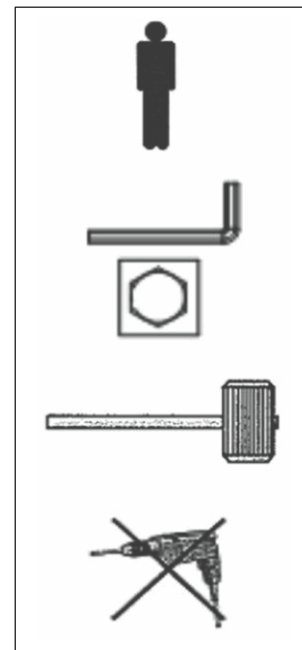
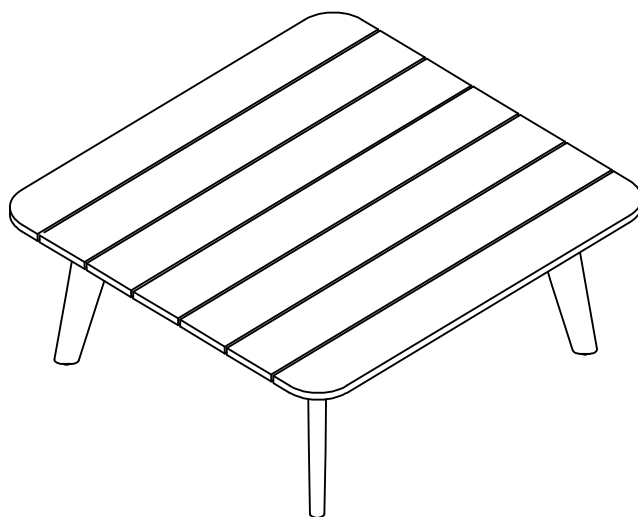


07





Nant
50153070

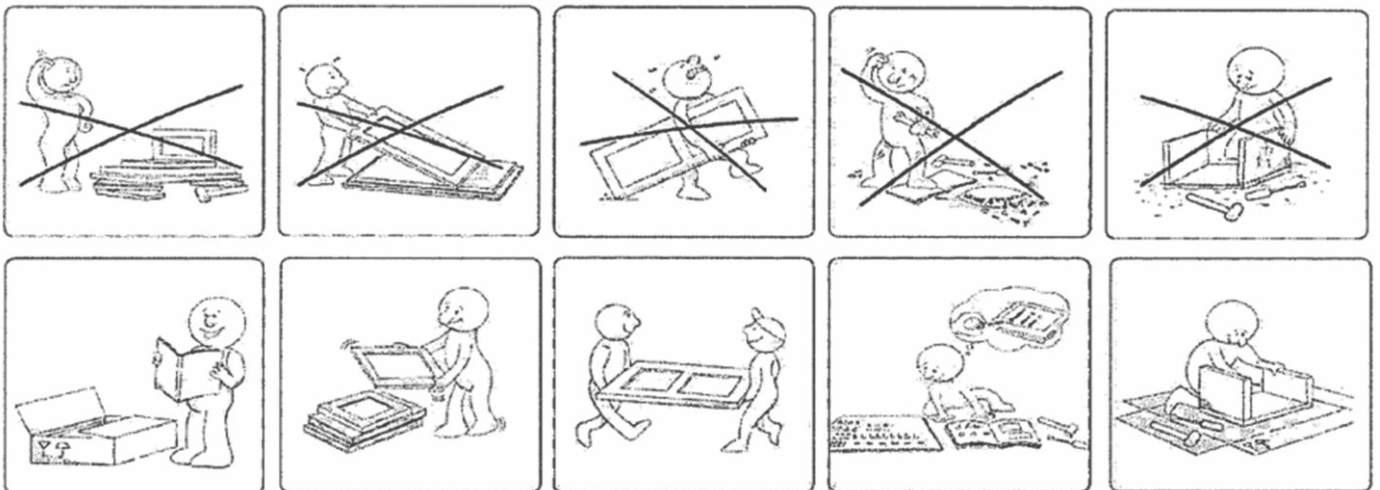
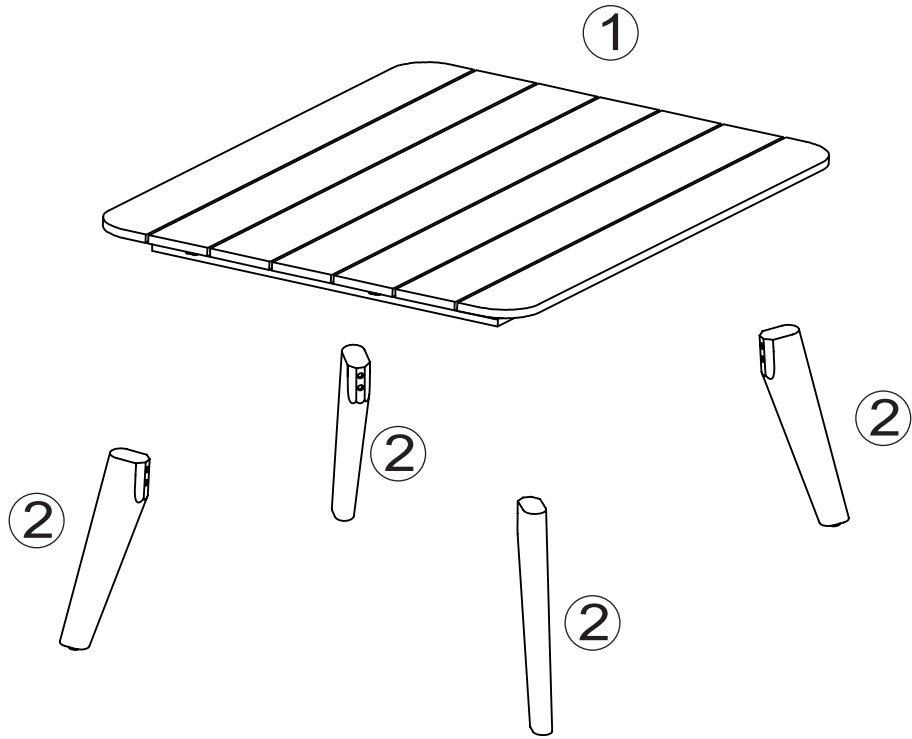
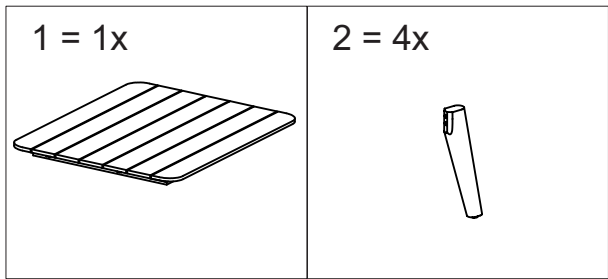


MAX. WEIGHT:
100 KGS

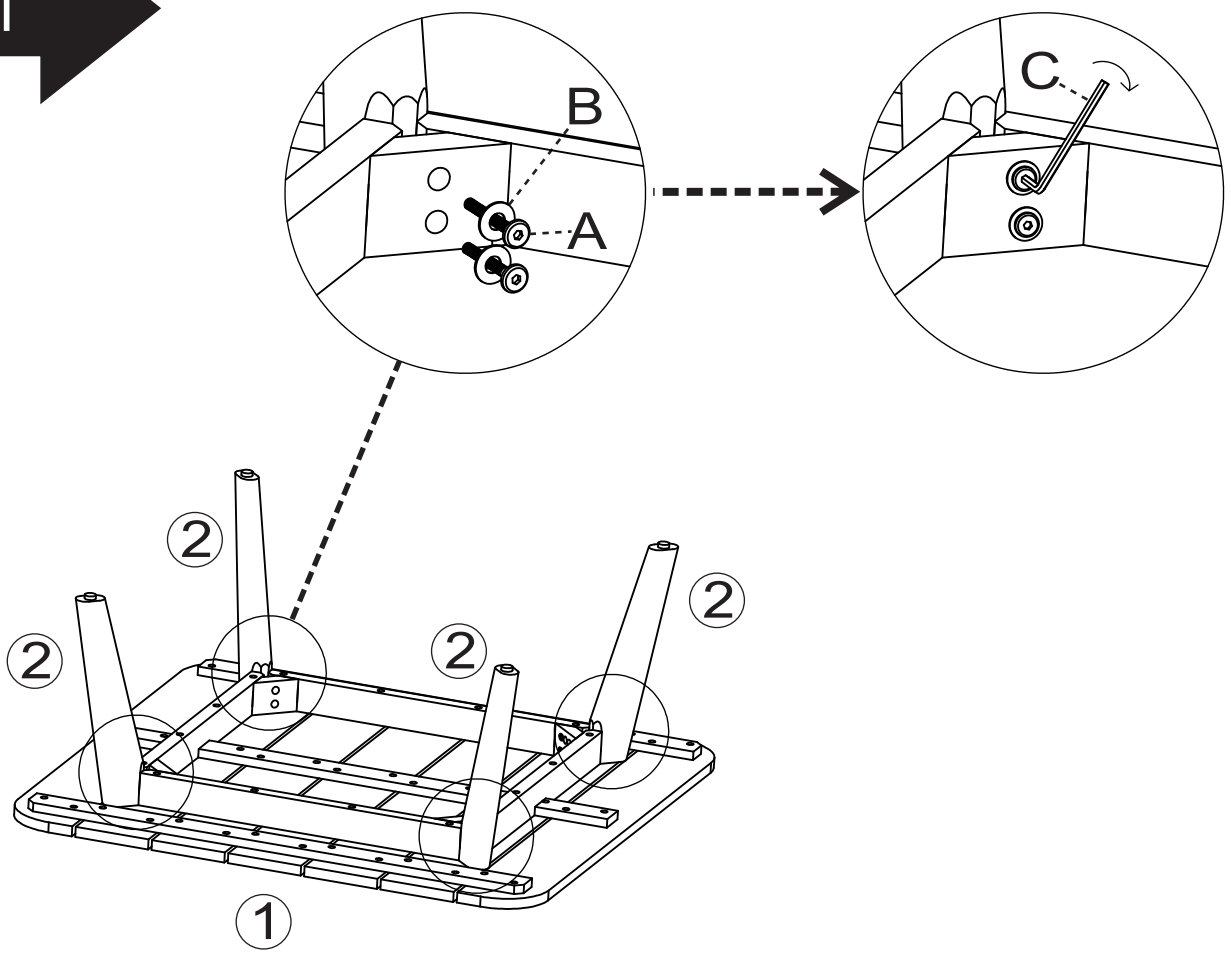


Le Sud B.V.
PO BOX 43 4940 AA
The Netherlands

A		M6x60	8
B		M6	8
C		KEY	1



01



02

