



# MONTAGE INSTRUCTIE ASSEMBLY INSTRUCTIONS INSTRUCTION DE MONTAGE MONTAGE-ANWEISUNG

50156090

## Ardeche

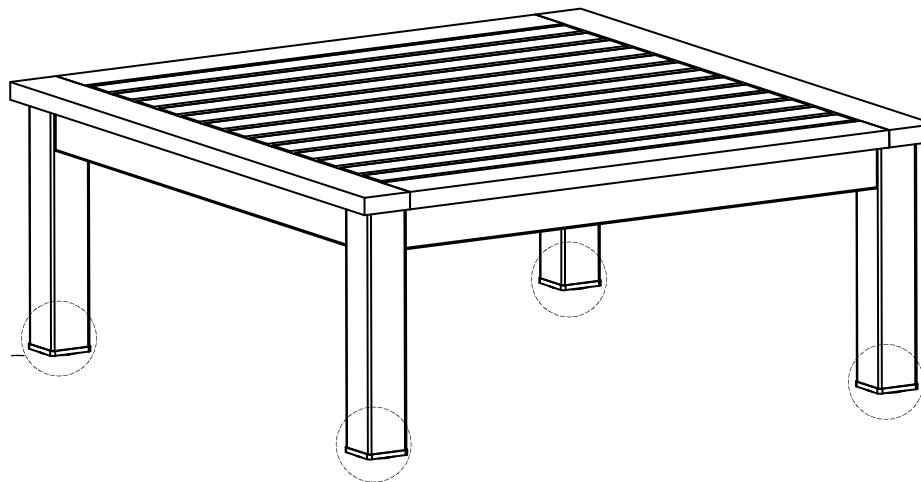
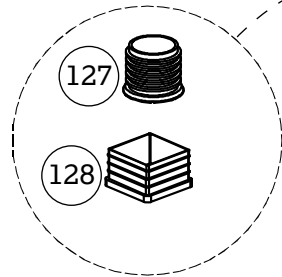
75x75x31cm

Tafel aluminium/eucalyptus FSC

Table aluminium/eucalyptus FSC

Table aluminium/eucalyptus FSC

Tisch Aluminium/Eukalyptus FSC



|     |  |     |
|-----|--|-----|
| x 8 |  | 194 |
|     | Hex-Bolt 8x35 mm, P-SPA, STL BLK<br>HW-ST-02-290-10          |     |
| x 8 |  | 020 |
|     | Spring Washer 8.5x12.5x1.5 mm,<br>STL BLK<br>HW-ST-07-062-10 |     |
| x 8 |  | 013 |
|     | Plain Washer 8.5x18x1 mm, STL BLK<br>HW-ST-07-044-10         |     |
| x 1 |  | 021 |
|     | Spanner 13x88 mm, STL CR3<br>HW-ST-18-007-246                |     |
| x 4 |  | 127 |
|     | Foot Ø47.5x40.5 mm, PL BLK<br>HW-PL-06-060-10                |     |
| x 4 |  | 128 |
|     | Foot 52x52x31.5 mm, PL BLK<br>HW-PL-06-069-10                |     |

Le Sud B.V.  
P.O. Box 43  
4940 AA Raamsdonksveer  
The Netherlands

Deze instructie aandachtig lezen en bewaren.  
Read this instruction carefully and keep it for the future.  
Conservez et lisez cette instruction attentivement.  
Bewahren Sie diese Instruktion auf und lesen Sie diese sorgfältig.

