



MONTAGE INSTRUCTIE
 ASSEMBLY INSTRUCTIONS
 INSTRUCTION DE MONTAGE
 MONTAGE-ANWEISUNG

50103018

Orléans

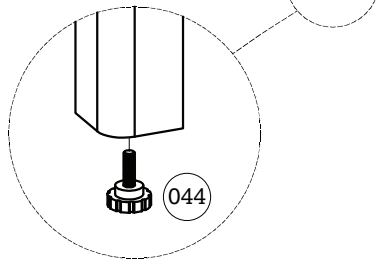
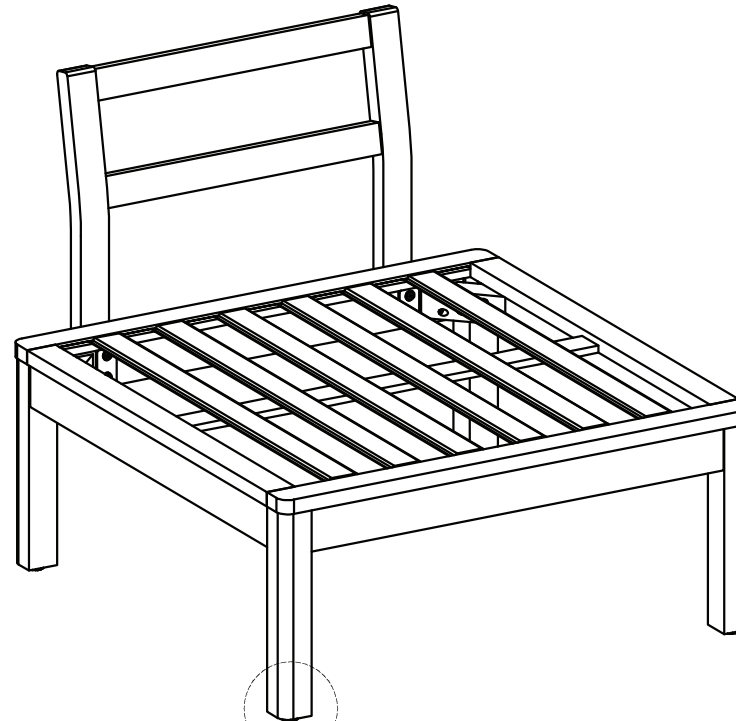
78x72x65cm

Midden fauteuil Eucalyptushout FSC

Center chair Eucalyptus wood FSC



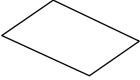

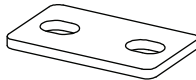

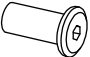



Fauteuil central Bois d'eucalyptus FSC

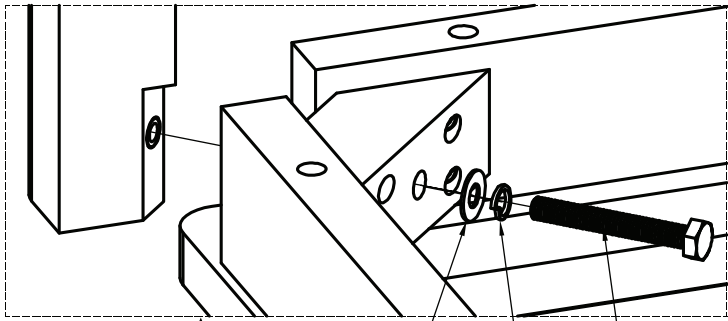
Mittelsessel Eukalyptusholz FSC



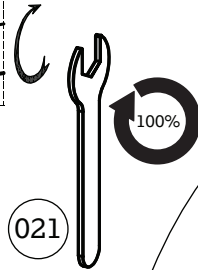
Le Sud B.V.
 P.O. Box 43
 4940 AA Raamsdonksveer
 The Netherlands

Deze instructie aandachtig lezen en bewaren.
 Read this instruction carefully and keep it for the future.
 Conservez et lisez cette instruction attentivement.
 Bewahren Sie diese Instruktion auf und lesen Sie diese sorgfältig.

| | | | |
|-----|---|---|-----|
| | |  | 019 |
| x 4 | | Hex-Bolt 8x60 mm HW-ST-02-109 | |
| | |  | 017 |
| x 4 | | F-Bolt 6x50 mm HW-ST-02-032 | |
| x 1 |  | 301 | |
| | Anti slip 250x250 mm ANTISLIP7438 | | |
| x 4 |  | 280 | |
| | Distance space 6.5x25x4.5 mm HW-MM-10-060 | | |
| x 2 |  | 279 | |
| | Pat I 50x30x3 mm HW-ST-04-492 | | |
| x 2 |  | 004 | |
| | Allen key 4x98 mm HW-ST-018-001 | | |
| x 4 | |  | 149 |
| | | Sleeve Nut 6x20 mm HW-ST-03-019 | |
| x 2 | |  | 254 |
| | | Velcro string 400x25 mm HW-MM-22-083 | |
| x 1 |  | 021 | |
| | Spanner 13x88 mm HW-ST-18-007 | | |
| x 4 | |  | 044 |
| | | Foot Ø23x30 mm HW-MM-06-140 | |

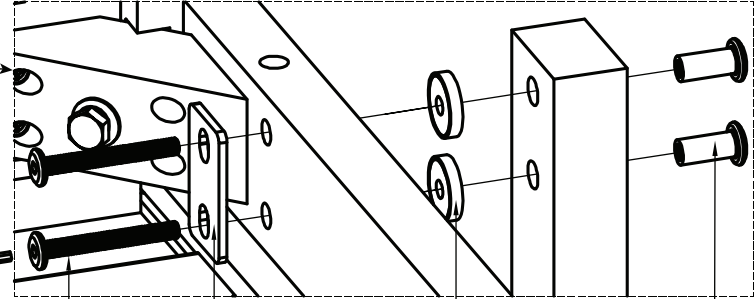


013
020
019

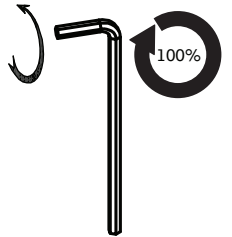


021

100%

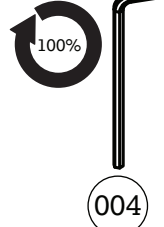


017
279
280
149



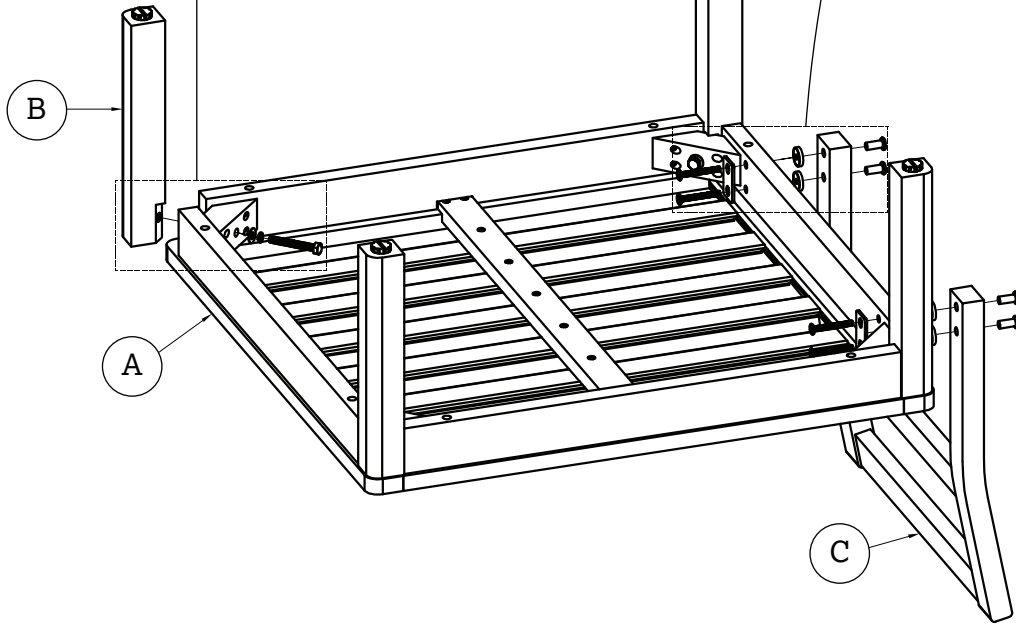
004

100%



004

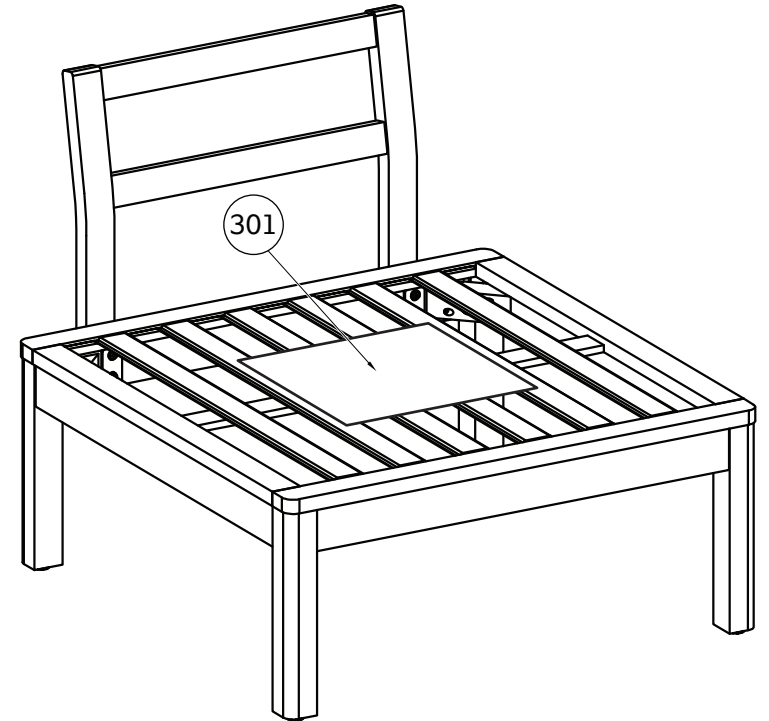
100%



B

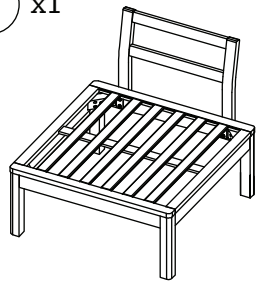
A

C



301

E x1



D x1

