

SenS-Line trommelpot - zwart - Ø54,5x60 cm

SenS-Line trommelpot - zwart
SenS-Line poêle 'trommelpot' - noire

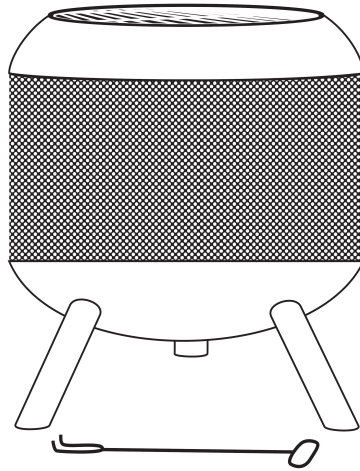


artikelnummer: | numéro d'article: 81020782



21x29.7cm

Instruction manual-A0451-Trommelpot



WARNING:FOR OUTDOOR USE ONLY

Retain these instructions for future reference

Before using this firepit, make sure you have read, understand and are following all information provided in the following important instructions. Failure to follow can cause death, serious injury or property damage. Improper installation, adjustment, alteration or maintenance can cause injury or property damage.

Important safeguards

- 1, This firepit is for outdoor use only and shall not be used in a building, garage or any other enclosed area. Toxic carbon monoxide fumes can accumulate and cause asphyxiation.
- 2, This firepit is not for commercial use.
- 3, This firepit should only be used by adults and all children and pets should be kept at a safe distance.
- 4, Do not use petrol, white spirit, lighter fluid, alcohol or other similar chemicals to light a fire as a rapid increase in temperature could damage the firepit. This firepit is only suitable for use with charcoal, untreated wood or dry logs. Do not use coal.
- 5, Do not use this firepit until it is completely assembled and all parts are securely fastened and tightened.
- 6, Do not use the firepit on decking or any other flammable surfaces such as dry grass, wood chips, leaves.
- 7, Always empty this firepit after use. Do not remove ashes or charcoal until they are completely and fully extinguished.
- 8, Do not touch the firepit until it is completely cooled unless you are wearing heat resistant gloves as it is hot when in use.
- 9, Do not handle or move the firepit when in use as it is hot.
- 10, Do not attempt to store the firepit until all ashes and charcoals are completely extinguished.
- 11, Always use a safety tool and heat resistant gloves when adding or moving fuel.
- 12, Always use a safety tool and heat resistant gloves to move the grill during use because the firepit will become very hot.
- 13, Do not leave a burning fire unattended.
- 14, Fire hazard-Hot embers may emit while in use.
- 15, Do not overload the firepit with fuel. Do not add additional fuel until the fire burns down. If a portion of the firebowl is glowing red, it is overloaded.
- 16, Do not burn fuel directly on the firebowl base. Do burn on the log grate
- 17, Do keep the fuel away from the wall of the firepit as the high temperature may damage it.

21x29.7cm

18, Avoid breathing smoke from the fire and avoid getting it into your eyes.

19, Always thoroughly inspect the firepit before use.

20, A slight discoloration of finish may occur after use.

Care and use

Lighting

1, Ensure the firepit is positioned on a permanent flat, level, heat resistant, non-flammable surface away from flammable items.

2, Place paper or dry kindling on the log grate in the centre of the firebowl bottom.

3, Place fuel on the paper or dry kindling

4, Light the paper or dry kindling to start a fire.

Tending the fire

1, Add fuel to the firepit to increase the heat slowly when embers glow. Do not overload with fuel, only two or three small logs is sufficient.

2, When shifting logs, use a safety tool to allow for additional airflow.

Extinguishing

To extinguish the firepit, stop adding fuel and allow fire to die or douse with sand. Do not use water as this may damage the firepit.

Care and inspecting

1, This firepit should be inspected on a regular base to ensure product safety and longer product life.

2, The firepit should be cleaned after use to ensure longer product life. Do not use oven cleaner or abrasive cleaner as they will damage this product.

3, When not in use, cover the firepit once completely cooled with a cover to help protect it from bad weather.

4, Store this firepit in a dry location to maximise product life

5, As the firepit is made from steel, the surface will age and develop surface rust as soon as it is placed outside and after use. This is to be expected, but it does not affect use and is not a product fault. Please see below instructions on how to refresh the paint finish.

Remove loose paint and rust with a wire brush when needed and re-paint using a high temperature paint, resistant to at least 600°C.

To help reduce surface rust, rub the firepit with an oily rag after each use.

USE AS A BBQ

Before cooking ensure the cooking grill and tools are clean and free of old food residues.

Add about 0.5kg of charcoal on the log grate and light according to the above instructions

Place the grill onto the top of the firebowl ensuring it is stable.

Do not cook before the fuel has a coating of ash.

Ensure all food is cooked thoroughly before eating.

After cooking do not remove the grill until it has completely cooled.

After cooking always clean the grill and the tools.

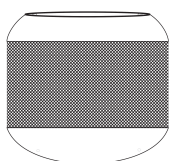
PART LIST



1 (1x)



2 (1x)



3 (1x)



4 (3x)

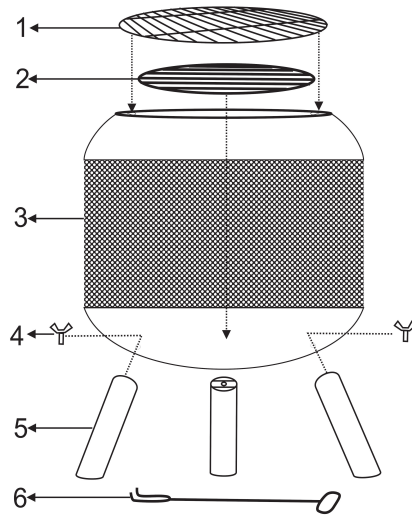


5 (3x)



6 (1x)

ASSEMBLY



STEP 1- Loosely connect the firebowl (3) to the stand (5) using the bolts (4).

STEP 2- Tighten all the bolts (4) to the stand (5).

STEP 3- Place the stand (5) on a permanent flat, level, heat resistant, non flammable surface away from flammable items.

STEP 4- Place the log grate (2) into the firebowl (3)

STEP 5- Place the grill (1) on the top of the firebowl (3).