

# Campingaz gasbarbecue 2 Series Classic EXS Vario

Campingaz gasbarbecue 2 Series Classic EXS Vario  
Barbecue au gaz Campingaz 2 Series Classic EXS Vario



**artikelnummer: | numéro d'article: 81011595**



EAN: 3138522070656  
publicatiedatum: | date de publication: 31-7-2019  
versie: | version: 1

Leen Bakker Nederland BV  
Postbus 43, 4940 AA Raamsdonksveer, Nederland  
Tel. +31 (0)162 58 31 00

**BARBECUES : 2 SERIES CLASSIC**

**L - CLASS 2L - LX - LX VARIO - LX VARIO+  
CLASS 2 LX VARIO - LX PLUS  
LX PLUS VARIO - CLASS 2 LX PLUS VARIO  
LX D PLUS VARIO - EXS - EXS VARIO - LXS**



**2 SERIES CLASSIC L  
CLASS 2 L**



MOD. 2018



**2 SERIES CLASSIC LX  
2 SERIES CLASSIC LX VARIO  
2 SERIES CLASSIC LX VARIO +  
CLASS 2 LX VARIO**



MOD. 2018



**2 SERIES CLASSIC LX PLUS**



**2 SERIES CLASSIC LX PLUS VARIO  
CLASS 2 LX PLUS VARIO**



**2 SERIES CLASSIC LX D PLUS VARIO**



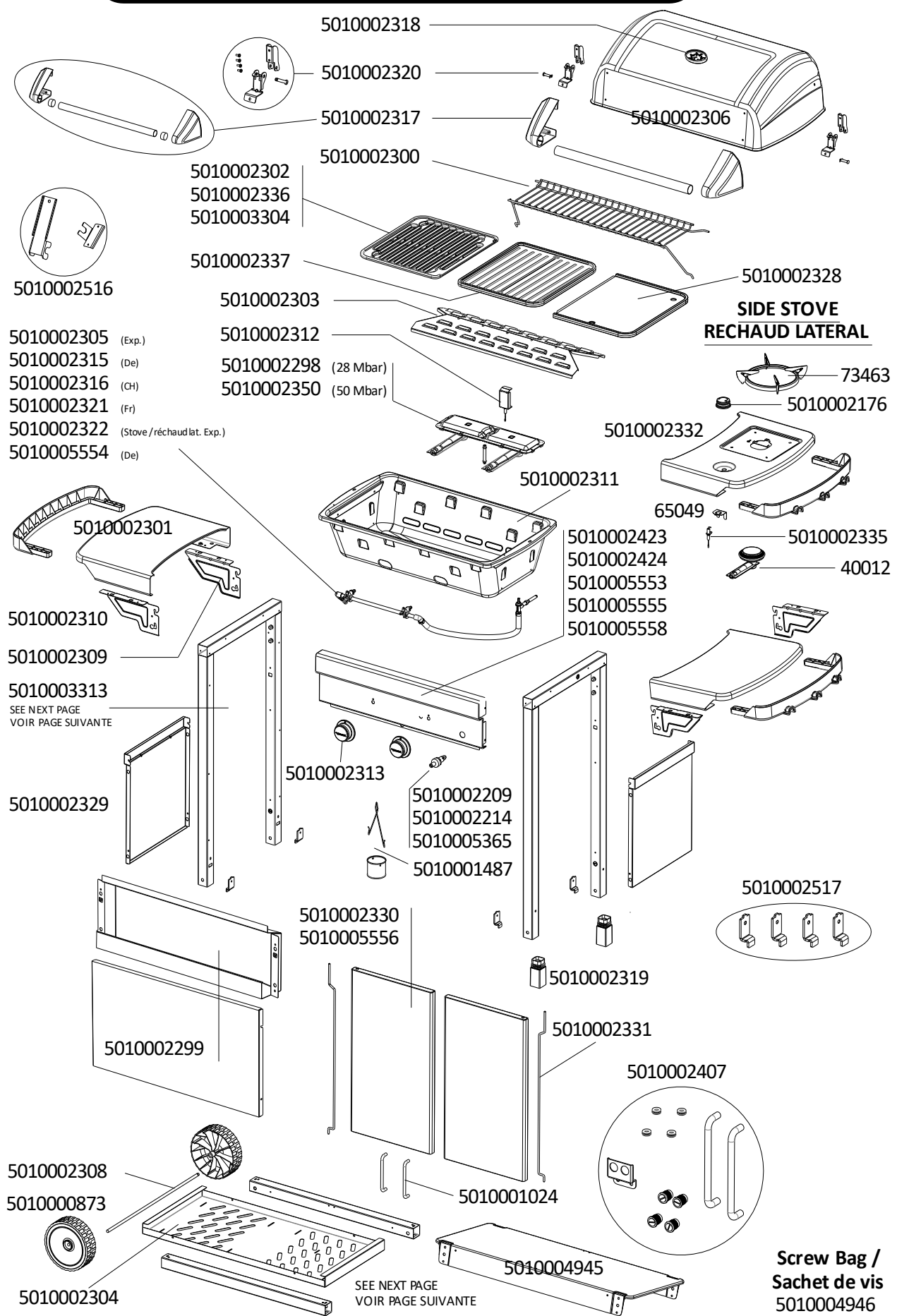
**2 SERIES CLASSIC EXS  
2 SERIES CLASSIC EXS VARIO**



**2 SERIES CLASSIC LXS**

# BARBECUES : 2 SERIES CLASSIC

L - CLASS 2L - LX - LX VARIO - LX VARIO+  
 CLASS 2 LX VARIO - LX PLUS  
 LX PLUS VARIO - CLASS 2 LX PLUS VARIO  
 LX D PLUS VARIO - EXS - EXS VARIO - LXS



**SIDE STOVE  
 RECHAUD LATERAL**

SEE NEXT PAGE  
 VOIR PAGE SUIVANTE

SEE NEXT PAGE  
 VOIR PAGE SUIVANTE

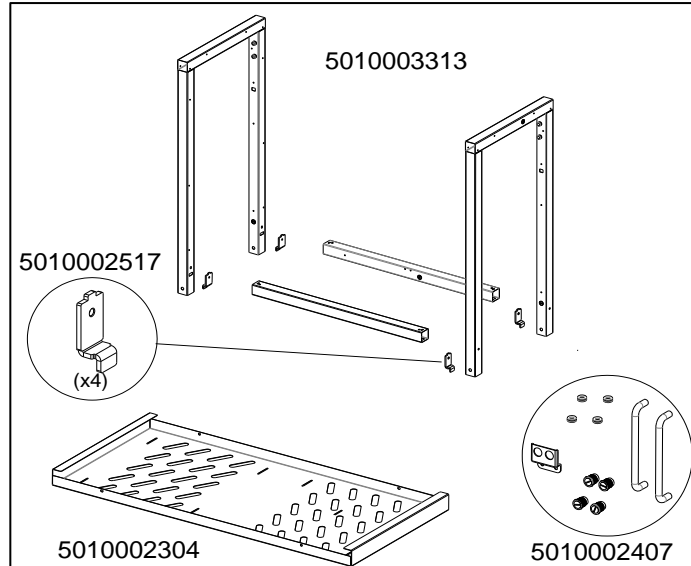
**Screw Bag /  
 Sachet de vis  
 5010004946**

**BARBECUES : 2 SERIES CLASSIC**

**L - CLASS 2L - LX - LX VARIO - LX VARIO+  
 CLASS 2 LX VARIO - LX PLUS  
 LX PLUS VARIO - CLASS 2 LX PLUS VARIO  
 LX D PLUS VARIO - EXS - EXS VARIO - LXS**

**TROLLEY / CHARIOT**

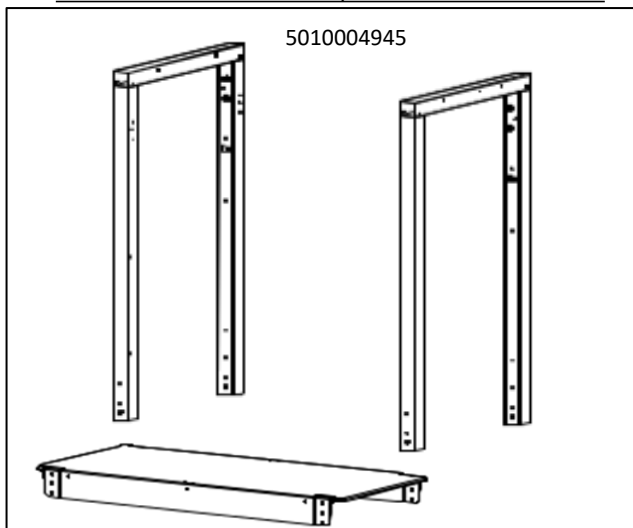
**BEFORE / AVANT 2018**



**5010004946**  
 Screw bag  
 Sacs de vis

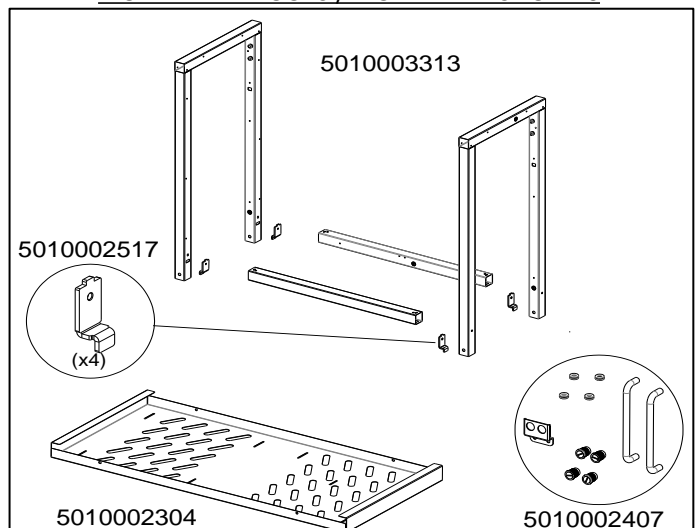
**FROM / A PARTIR DE 2018**

MODEL WITHOUT DOORS / MODELE SANS PORTES



**5010004946**  
 Screw bag  
 Sacs de vis

MODEL WITH DOORS / MODELE AVEC PORTES



**5010004946**  
 Screw bag  
 Sacs de vis

# BARBECUES : 2 SERIES CLASSIC

L - CLASS 2L - LX - LX VARIO - LX VARIO+  
 CLASS 2 LX VARIO - LX PLUS  
 LX PLUS VARIO - CLASS 2 LX PLUS VARIO  
 LX D PLUS VARIO - EXS - EXS VARIO - LXS



| SPARE PARTS REF. | POINTS | EN DESCRIPTIONS                                | FR DESCRIPTIONS                                  | 2 CLASSIC L - 2 CLASSIC LX<br>2 CLASSIC LX VARIO - 2 CLASSIC LX VARIO +<br>CLASS 2L - CLASS 2 LX VARIO | 2 CLASSIC LX PLUS<br>2 CLASSIC LX PLUS VARIO<br>CLASS 2 LX PLUS VARIO<br>2 CLASSIC LX D PLUS VARIO | 2 CLASSIC EXS - 2 CLASSIC EXS VARIO | 2 CLASSIC LXS |
|------------------|--------|--|--|--|--|-------------------------------------|---------------|
| 40012            | 60     | COMPLETE BURNER FOR SIDE                       | BRULEUR POUR RECHAUD                             |  |  | X                                   | X             |
| 65049            | 30     | SQUARE FOR SIDE STOVE                          | RONDELLE DE BRIDAGE ROBINET                      |  |  | X                                   | X             |
| 73463            | 60     | PAN SUPPORT                                    | SUPPORT DE CASSEROLE                             |  |  | X                                   | X             |
| 5010000873       | 50     | WHEEL  | ROUE   | X  | X  | X                                   | X             |
| 5010001024       | 40     | HANDLE / USTENSIL HOLDER                       | POIGNEE / PORTE USTENSILE                        |  | X  | X                                   |               |
| 5010001487       | 50     | GREASE CAN + WIRE                              | POT A GRAISSE + FIL                              | X  | X  | X                                   | X             |
| 5010002176       | 40     | KIT OF 2 KNOBS FOR SIDE STOVE                  | KIT DE 2 VOLANTS POUR RECHAUD LATERAL            |  |  | X                                   | X             |
| 5010002209       | 70     | PIEZO DOUBLE                                   | PIEZO DOUBLE                                     | X  |  |                                     |               |
| 5010002214       | 80     | PIEZO 1 OUTLET                                 | PIEZO SIMPLE                                     | X  | X  |                                     |               |
| 5010002298       | 120    | STAINLESS STEEL BURNER                         | BRULEUR INOX                                     | X  | X  | X                                   | X             |
| 5010002299       | 120    | TOP + BOTTOM FRONT PANEL - LIGHT GREY          | PANNEAU AVANT HAUT + BAS - GRIS CLAIR            | X  |  |                                     | X             |
| 5010002300       | 80     | WARMING RACK                                   | GRILLE DE MIJOTAGE                               | X  | X  | X                                   | X             |
| 5010002301       | 130    | RIGHT OR LEFT SIDE SHELF                       | ETAGERE LATERALE DROITE OU GAUCHE                | X  | X  | X                                   | X             |
| 5010002302       | 110    | ENAMELLED STEEL GRID - SHINY                   | GRILLE ACIER EMAILLE - BRILLANTE                 | X  | X  |                                     | X             |
| 5010002303       | 50     | HEAT DIFFUSER (x1)                             | DIFFUSEUR DE CHALEUR (x1)                        | X  | X  | X                                   | X             |
| 5010002304       | 100    | CANISTER SUPPORT                               | SUPPORT DE RESERVOIR                             | X  | X  | X                                   |               |
| 5010002305       | 160    | GAS PIPE 28Mb (Export)                         | TUBULURE 28Mb (Export)                           | X  | X  |                                     |               |
| 5010002306       | 250    | LID WITHOUT HANDLE - BLACK                     | COUVERCLE SANS POIGNEE - NOIR                    | X  | X  | X                                   | X             |
| 5010002308       | 30     | WHEEL AXLE                                     | AXE DE ROUE                                      | X  | X  | X                                   | X             |
| 5010002309       | 50     | LEFT SIDE SHELF SUPPORT                        | SUPPORT GAUCHE ETAGERE                           | X  | X  | X                                   | X             |
| 5010002310       | 50     | RIGHT SIDE SHELF SUPPORT                       | SUPPORT DROITE ETAGERE                           | X  | X  | X                                   | X             |
| 5010002311       | 200    | BASE   | CUVE   | X  | X  | X                                   | X             |
| 5010002312       | 60     | ELECTRODE + WIRE + SUPPORT                     | ELECTRODE + FIL + SUPPORT                        | X  | X  | X                                   | X             |
| 5010002313       | 60     | KNOB (x2)                                      | VOLANT (x2)                                      | X  | X  | X                                   | X             |
| 5010002315       | 160    | GAS PIPE 50Mb 1/4" (De)                        | TUBULURE 50Mb 1/4" (De)                          | X  | X  |                                     |               |
| 5010002316       | 160    | GAS PIPE 28Mb 1/4" (Ch)                        | TUBULURE 28Mb 1/4" (Ch)                          | X  | X  |                                     |               |
| 5010002317       | 160    | KIT HANDLE FOR LID                             | KIT POIGNEE POUR COUVERCLE                       | X  | X  | X                                   | X             |
| 5010002318       | 90     | THERMOMETER                                    | THERMOMETRE                                      | X  | X  | X                                   | X             |
| 5010002319       | 30     | PLASTIC FOOT                                   | PIED PLASTIQUE                                   | X  | X  | X                                   | X             |
| 5010002320       | 50     | UPPER + LOWER HINGE                            | CHARNIERE HAUT + BAS                             | X  | X  | X                                   | X             |
| 5010002321       | 160    | GAS PIPE 28Mb 1/2" (Fr)                        | TUBULURE 28Mb 1/2" (Fr)                          | X  | X  |                                     |               |
| 5010002322       | 190    | STOVE PIPE 28Mb (Export)                       | TUBULURE RECHAUD 28Mb (Export)                   |  |  | X                                   | X             |
| 5010002328       | 150    | ENAMELLED STEEL GRIDDLE - SHINY                | PLAQUE DE CUISSON ACIER EMAILLE - BRILLANTE      | X  | X  |                                     |               |
| 5010002329       | 70     | SIDE SHEET                                     | TOLE LATERALE                                    |  | X  | X                                   |               |
| 5010002330       | 110    | RIGHT OR LEFT DOOR WITHOUT HANDLE (LIGHT GREY) | PORTE DROITE OU GAUCHE SANS POIGNEE (GRIS CLAIR) |  | X  | X                                   |               |
| 5010002331       | 30     | DOOR AXLE                                      | AXE DE PORTE                                     |  | X  | X                                   |               |

# BARBECUES : 2 SERIES CLASSIC

L - CLASS 2L - LX - LX VARIO - LX VARIO+  
 CLASS 2 LX VARIO - LX PLUS  
 LX PLUS VARIO - CLASS 2 LX PLUS VARIO  
 LX D PLUS VARIO - EXS - EXS VARIO - LXS



| SPARE PARTS REF. | POINTS | EN DESCRIPTIONS                                 | FR DESCRIPTIONS   | 2 CLASSIC L - 2 CLASSIC LX<br>2 CLASSIC LX VARIO - 2 CLASSIC LX VARIO +<br>CLASS 2L - CLASS 2 LX VARIO | 2 CLASSIC LX PLUS<br>2 CLASSIC LX PLUS VARIO<br>CLASS 2 LX PLUS VARIO<br>2 CLASSIC LX D PLUS VARIO | 2 CLASSIC EXS - 2 CLASSIC EXS VARIO | 2 CLASSIC LXS |
|------------------|--------|---|---|--|--|-------------------------------------|---------------|
| 5010002332       | 130    | SIDE STOVE SHELF                                | ETAGERE RECHAUD LATERAL                                 |  |  | X                                   | X             |
| 5010002335       | 40     | SIDE BURNER ELECTRODE                           | ELECTRODE RECHAUD LATERAL                               |  |  | X                                   | X             |
| 5010002336       | 160    | CAST IRON ENAMELLED GRID - SHINY                | GRILLE DE CUISSON FONTE EMAILLEE - BRILLANTE            |  |  | X                                   |               |
| 5010002337       | 220    | REVERSIBLE CAST IRON ENAMELLED GRIDDLE - SHINY  | PLAQUE DE CUISSON FONTE EMAILLEE REVERSIBLE - BRILLANTE |  |  | X                                   |               |
| 5010002350       | 120    | STAINLESS STEEL BURNER WITH SUPPORT             | BRULEUR INOX AVEC ENTRETOISE                            | X  | X  | X                                   |               |
| 5010002407       | 70     | DOOR ACCESSORY BAG                              | SACHET ASSESSOIRES PORTE                                |  | X  | X                                   |               |
| 5010002423       | 140    | CONTROL PANEL (2 Classic L)                     | CONSOLE (2 Classic L)                                   | X  | X  | X                                   |               |
| 5010002424       | 140    | CONTROL PANEL (Class 2L)                        | CONSOLE (Class 2L)                                      | X  |  |                                     |               |
| 5010002516       | 30     | GAS TUBE HOLDER                                 | SUPPORT TUBULURE  | X  | X  | X                                   | X             |
| 5010002517       | 50     | TUBE JUNCTION FOR 2014 TROLLEY                  | SUPPORT POUR CHARIOT 2014                               | X  | X  | X                                   |               |
| 5010003304       | 140    | ENAMELLED CAST IRON GRID - MATTE                | GRILLE DE CUISSON FONTE EMAILLEE - MATE                 | X  | X  | X                                   |               |
| 5010003313       | 320    | CARRIAGE  | CHARIOT   | X  | X  | X                                   |               |
| 5010004945       | 270    | CYLINDER SUPPORT + TROLLEY                      | SUPPORT BOUTEILLE + CHARIOT                             | X  |  | X                                   | X             |
| 5010004946       | 110    | SCREW BAG                                       | SACHET DE VIS   | X  | X  | X                                   | X             |
| 5010005365       | 50     | PIEZO DOUBLE                                    | PIEZO DOUBLE  |  |  | X                                   | X             |
| 5010005553       | 60     | CONTROL PANEL (2 SERIES CLASSIC EXS)            | CONSOLE (2 SERIES CLASSIC EXS)                          |  |  | X                                   | X             |
| 5010005554       | 200    | STOVE PIPE 50Mb 1/4" (De)                       | TUBULURE RECHAUD 50Mb 1/4" (De)                         |  |  | X                                   |               |
| 5010005555       | 60     | CONTROL PANEL (2 SERIES CLASSIC LXD Plus VARIO) | CONSOLE (2 SERIES CLASSIC LXD Plus VARIO)               |  | X  |                                     |               |
| 5010005556       | 80     | RIGHT OR LEFT DOOR WITHOUT HANDLE (DARK GREY)   | PORTE DROITE OU GAUCHE SANS POIGNEE (GRIS FONCE)        |  | X  |                                     |               |
| 5010005558       | 60     | CONTROL PANEL (2 SERIES CLASSIC LX PLUS)        | CONSOLE (2 SERIES CLASSIC LX PLUS)                      |  | X  |                                     |               |